

Shenzhen DreamLNK Technology Co., Ltd.  
 深圳市骏晔科技有限公司

4G + GPS Two-in-One Cabinet Antenna

Product Specification

Client Name		Frequency Band	820-960/1710-2700MHz
Wire Name		Version	A1
Customer's Part Number		DreamLNK's Part Number	802
RF Designer	James Wang	RF Manager	Knight Ai
Structural Designer		Structural Design Manager	
Technical Director		Date	2018-10-11

Client confirmation:

Whether the product meets your requirements?  OK  NG

# Contents

Cover .....	1
Contents .....	2
1. Photos .....	3
2. Parameters .....	3
3. S11 Data .....	4
4. Structure diagram .....	5
5. Environmental reliability experiment report .....	6
6. Contact us .....	6

The information provided by us should be kept strictly confidential, and it is not allowed to disclose to anyone else or other companies, without prior written consent

---

## 1. Photo

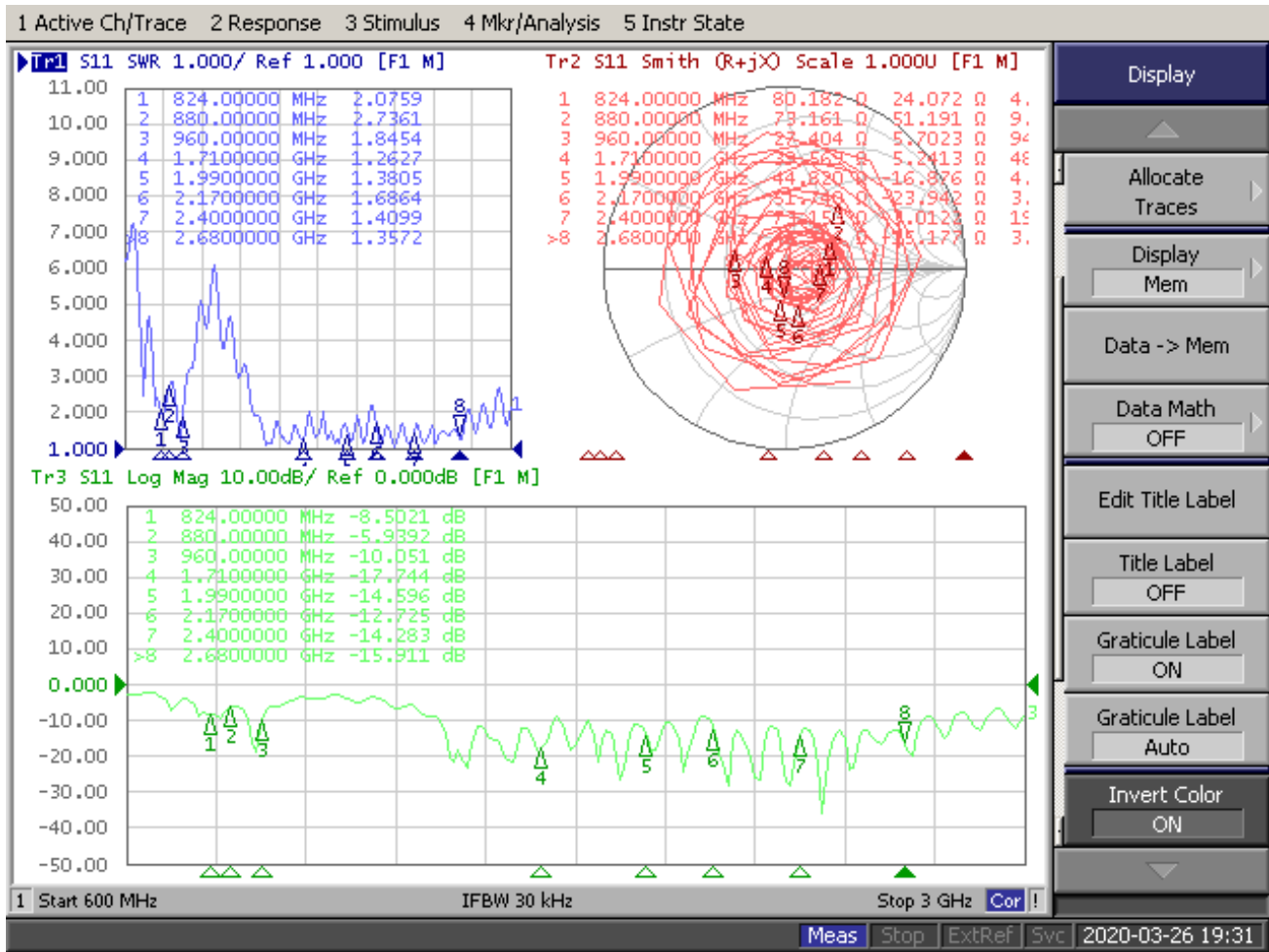


## 2. Parameters

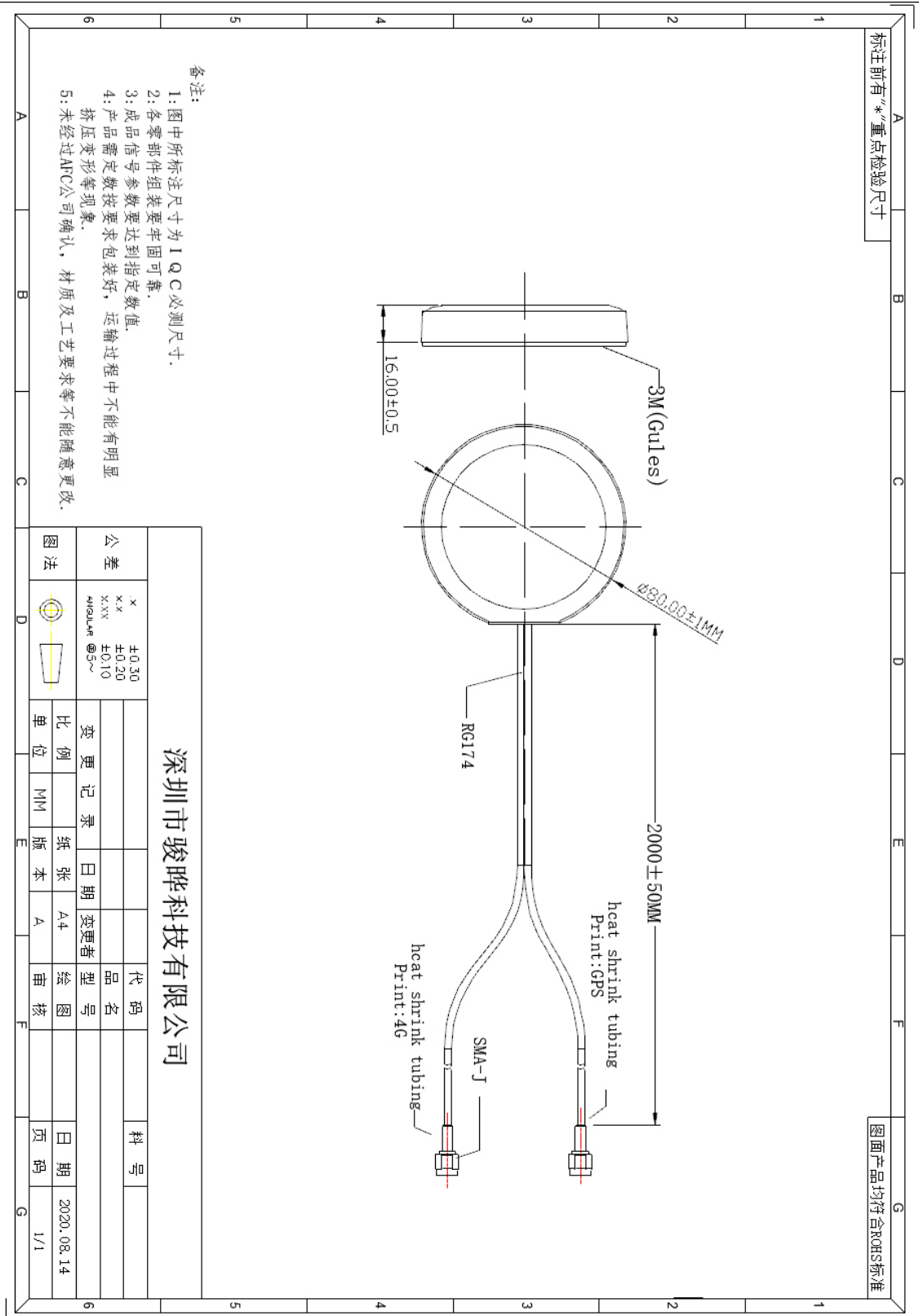
Test parameters			
Product Name	4G+GPS Cabinet Antenna	Model No	802
Electrical Specifications			
Frequency Range	820-960MHz/1710-2700MHz	Polarization	Vertical
Input Impedance	50 $\Omega$	Radiation direction	Full direction
VSWR	$\leq 2.0$	Power Capacity	20W
Gain (4G)	4dBi	Gain (GPS)	28dBi
Mechanical Specifications			
Dimensions	80*16mm	Color	Black
Connector Model	SMA	Cable Length	2000 $\pm$ 5 mm
Antenna Material	ABS & COPPER	Voltage	/
Working Temperature	-30 $^{\circ}$ C ~+80 $^{\circ}$ C	Relative Humidity	40-85%

The information provided by us should be kept strictly confidential, and it is not allowed to disclose to anyone else or other companies, without prior written consent

### 3. S11 Data ( VSWR, Return loss, Smith)



## 4. Structure diagram



The information provided by us should be kept strictly confidential, and it is not allowed to disclose to anyone else or other companies, without prior written consent

---

## 5. Environmental reliability experiment report

Item	Test condition	Specification
Storage environment	Tested temperature, humidity and air pressure as following without specifying: 1. The temperature is $-30\text{ }^{\circ}\text{C} \sim +80\text{ }^{\circ}\text{C}$ 2. Relative humidity is 45% -85% 3. The air pressure is 86kpa-106kpa	The electrical mechanical performance is normal
High and low temperature test	Perform 5 cycles between $70\text{ }^{\circ}\text{C}$ and $40\text{ }^{\circ}\text{C}$ , then check the appearance quality, under normal conditions 1-2H	The size should meet the requirements for mechanical and electrical performance
Resistant to constant heat and humidity	Test Relative humidity: $95 \pm 3\%$ , Test temperature: $40\text{ }^{\circ}\text{C}$ . After continuous 2H running, take out the sample, and measure its electrical properties within 5 minutes, put the sample in a normal condition for another 1-2H, check the appearance quality	The size should meet the standard, and meet for mechanical and electrical performance
Vibration test	Vibration frequency range 10-55HZ, displacement amplitude: 0.35MM, acceleration amplitude: 50.0M / S, frequency of sweeping cycle: 30 times	Normal electrical and mechanical performance
Drop test	1M high-altitude free fall 3 times, in the direction of mutually perpendicular axes	Normal electrical and mechanical performance

## 6. Contact us

### Shenzhen DreamLnk Technology Co., Ltd

★ Data collection, Smart home, Internet of Things applications, Wireless remote control technology, Remote active RFID, Antennas ★

Office Add.: Room 603, Unit C, Zone A, Huameiju Business Center, Xinhua Rd., Bao'an District, Shenzhen, Guangdong Province, China

Factory Add.: 5th Floor, Building B, Huazhi Innovation Valley, No. 7 Yuhua Street, 138 Industrial Zone, Tangxia Town, Dongguan, Guangdong Province, China

TEL.: +86-755-29369047

FAX: +86-755-27844601

Mobile: +86 13760215716

Wechat: wsj\_james

E-mail: [james@dreamlnk.com](mailto:james@dreamlnk.com)

Web: [www.iot-rf.com](http://www.iot-rf.com)